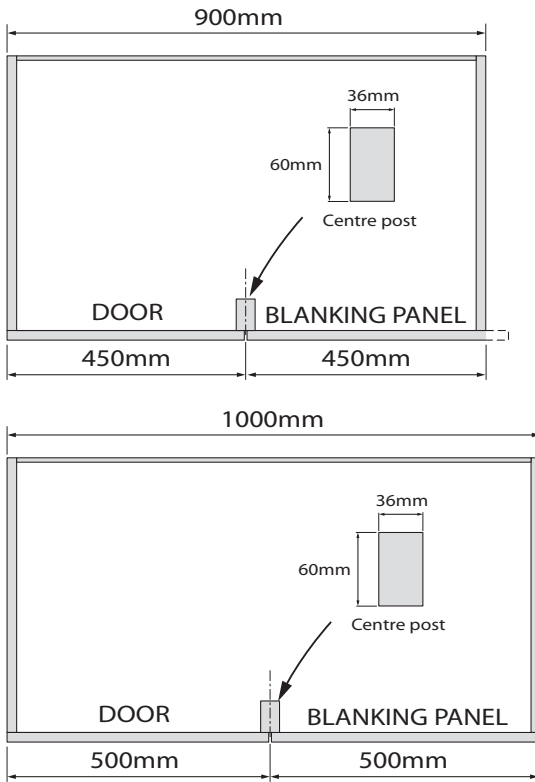
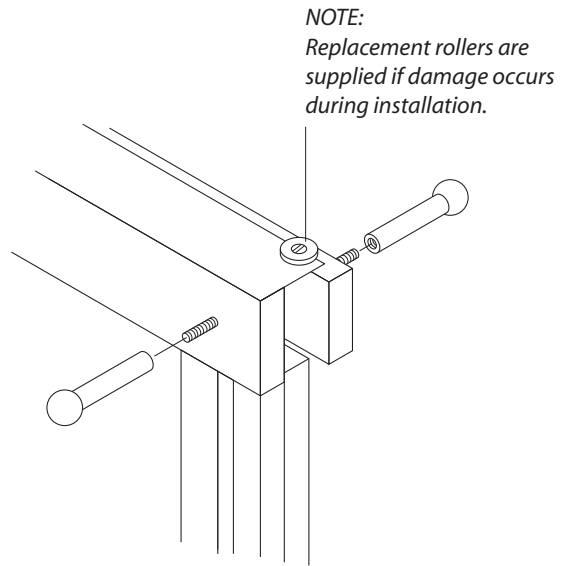


Do not attach door until Corner Optimiser has been fully assembled and fitted.
 Illustrations show **900mm Or 1000mm left handed** base units.

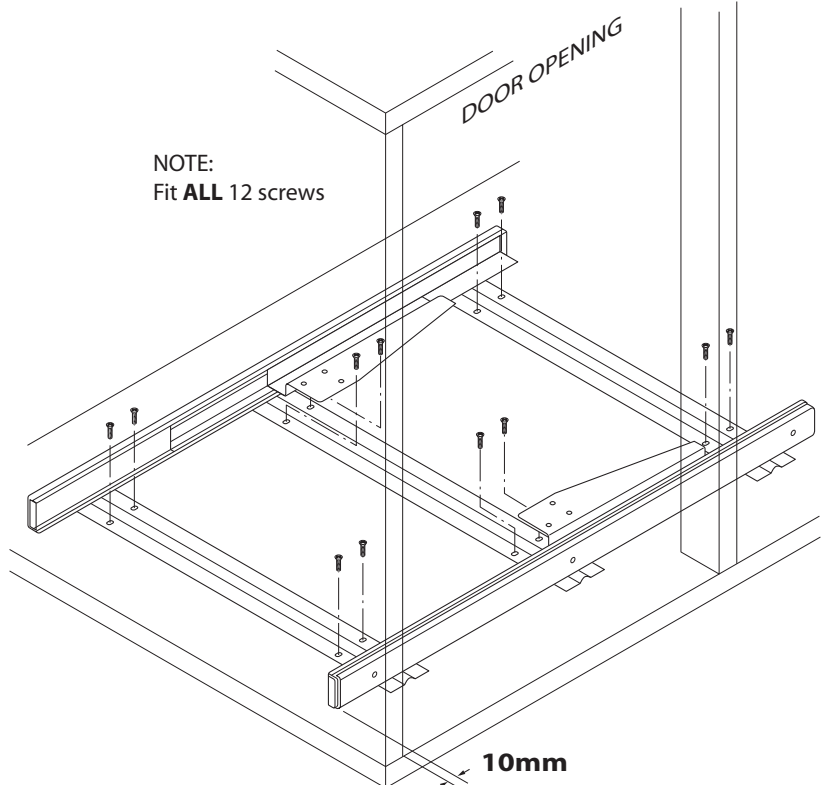
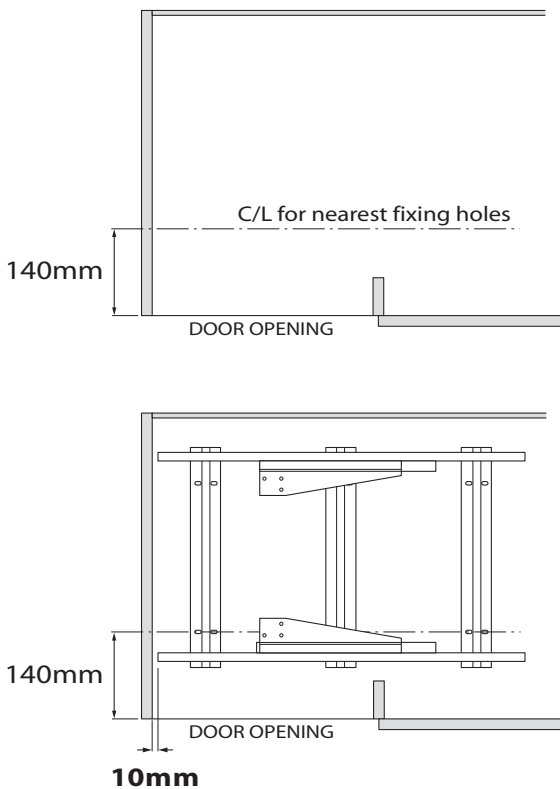
1 Base unit and door sizes.



2 Fit 2 handles.

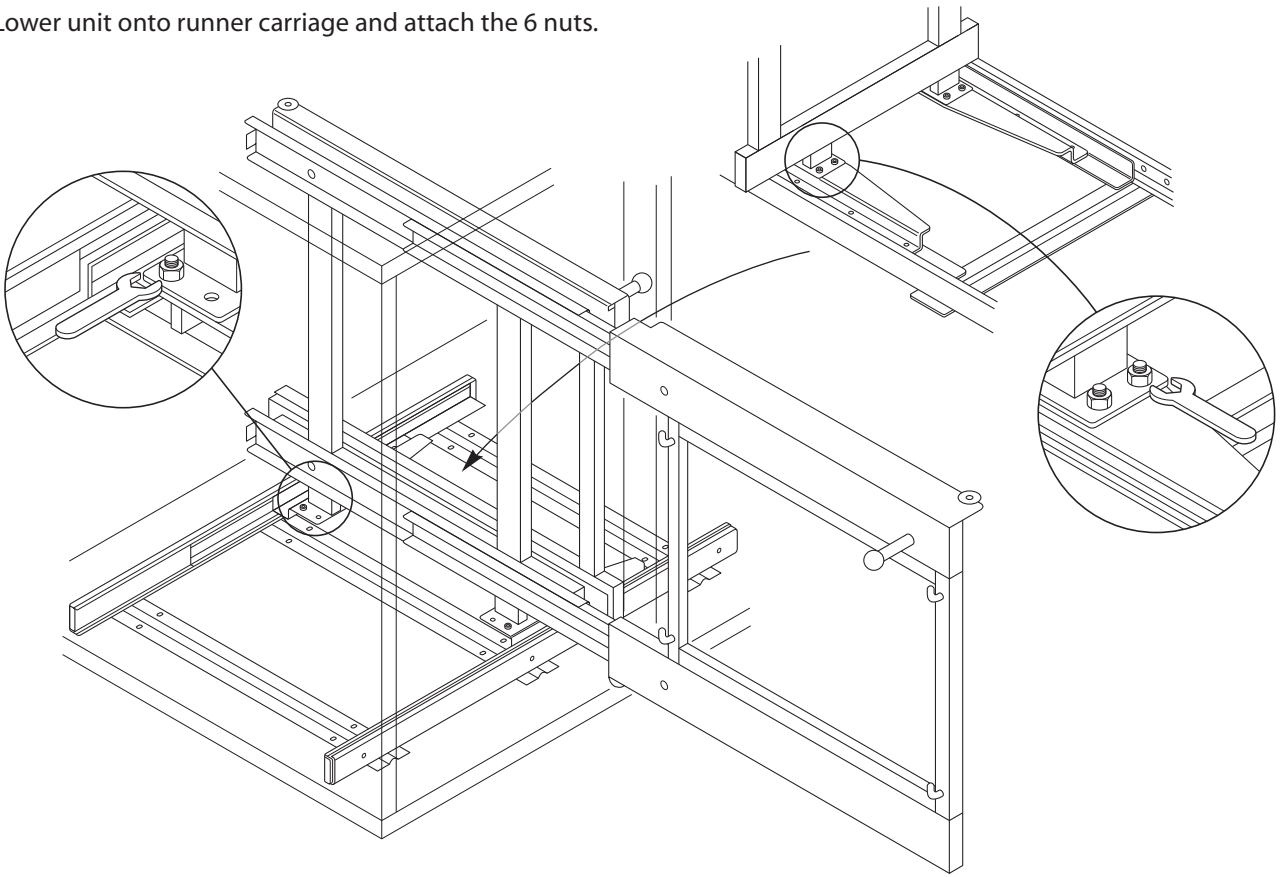


3 Locate and fit Optimiser runner carriage to base unit.

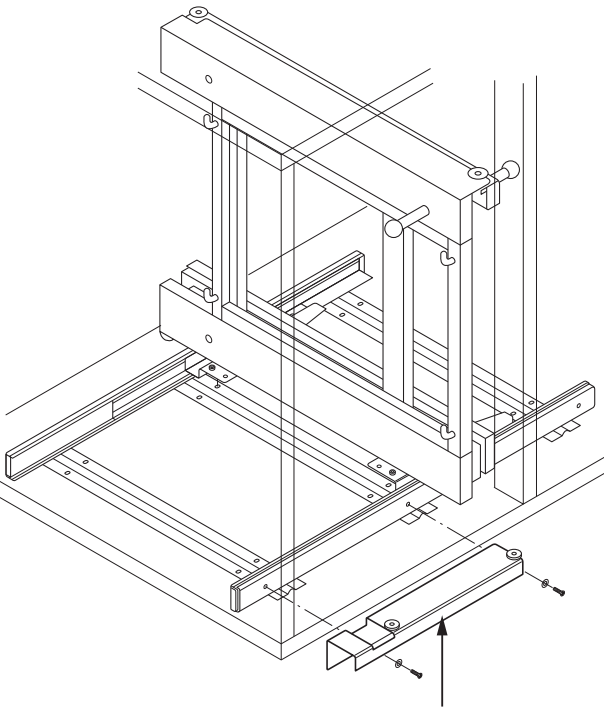


IMPORTANT - Gap allows free forward movement of baskets

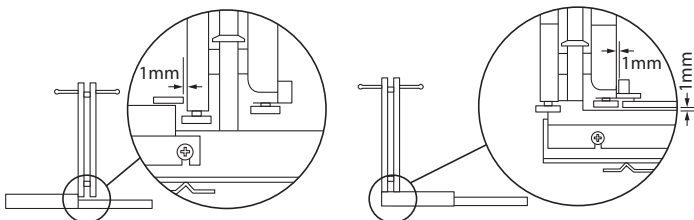
4 Lower unit onto runner carriage and attach the 6 nuts.



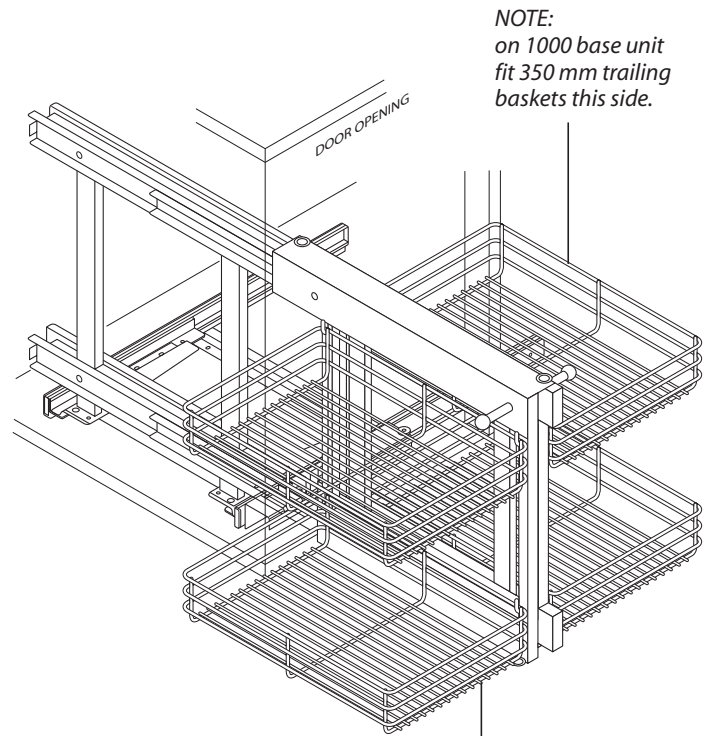
5 Push unit to far right and fit guide channel to left/front of runner carriage. See details if fine adjustment is needed.



! **IMPORTANT:** The guide channel height must be carefully adjusted to allow unrestricted forward movement of the Optimiser and to ensure the limit stop is held by the nylon wheel.



6 Attach baskets



NOTE:
on 1000 base unit
fit 300 mm leading
baskets this side.

Basket sizes

Base unit	Leading	Trailing
900	300	300
1000	300	350